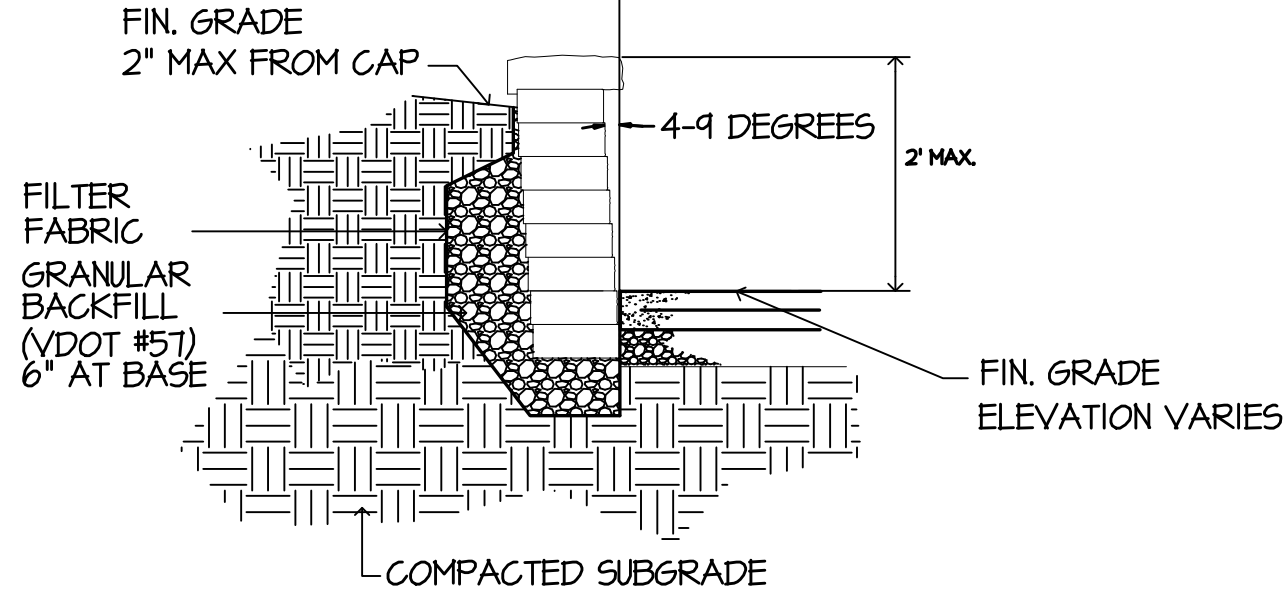


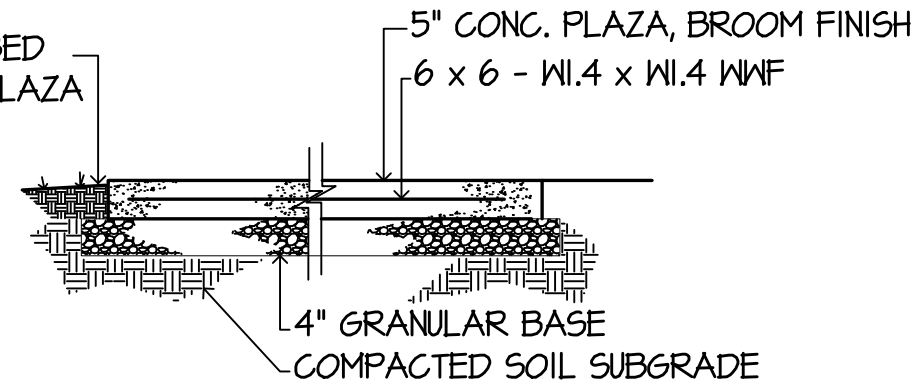
FACE OF EXISTING BLDG BEYOND
(WHERE OCCURS)



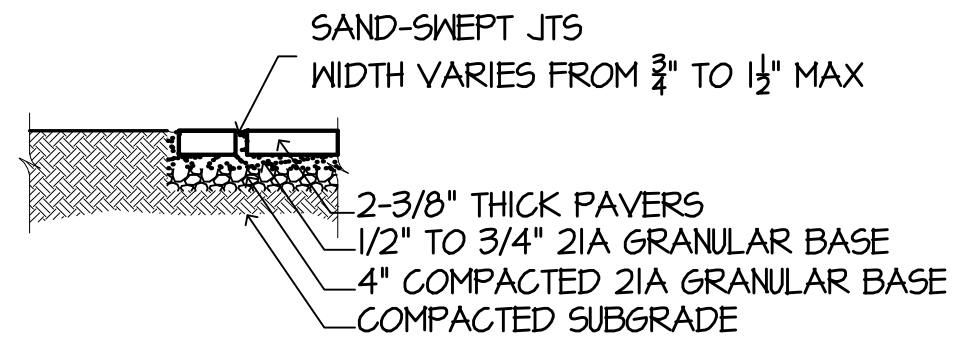
RETAINING WALL DETAIL

* INSTALL PER MANUFACTURER'S INSTRUCTIONS

FIN. GRADE OF
ADJACENT PLANT BED
0" TO 1/2" BELOW PLAZA



CONCRETE PLAZA DETAIL



ADD ALTERNATE PAVER DETAIL

* INSTALL PER MANUFACTURER'S INSTRUCTIONS



**HILL
STUDIO**

Community Planning
Landscape Architecture
Architecture
Historic Preservation

120 W. Campbell Ave. SW
Roanoke, VA 24011

tel: 540-342-5263

fax: 540-345-5625

www.hillstudio.com

HALIFAX COURT HOUSE HISTORIC DISTRICT GATEWAY
PLAZA & RETAINING WALL DETAIL
HALIFAX, VIRGINIA
PROJECT # 0511.02

DATE: 05/08/08
SCALE: NTS
REVISIONS:

DRAWN: PMH
REVIEW: CRC
PROJECT #: 0511.02

L-3